

DOC NO	61852
REV	4
PAGE	1 of 3

SPECIFICATION – PRINTED MATERIALS

Rev	Change Note	Date Document Drafted	Document Prepared by (Name)	Document Checked by (Name)
1	C16402	28/11/06	Patrick Down	Andrew Cheung or delegate (refer to Change Note)
2	C16658	12/01/07	Roberto Fermin	Andrew Cheung or delegate (refer to Change Note)
3	C16914	23/02/07	Roberto Fermin	Andrew Cheung or delegate (refer to Change Note)
4	C23072	22/05/09	Deslie Sutton	Alison Besley or delegate (refer to Change Note)

Mirage Liberty Quick Fitting Guide/Components Card Europe 1

1. ORACLE DESCRIPTION

Mirage Liberty QFG-CC EUR1

2. DETAILS

Dimensions: 133 W x 189 H ± 5 mm

Colour of printing: 4 colour process

Stock: 250 gsm Artboard

No of pgs: 2 pp (double sided)

Art Work: As shown on the following pages. If re-typeset, the same styles and sizes must be maintained.

Manufacturer: External printer

3. RESMED QC INSPECTION

Refer to AWI203-002 - Printed Materials/Labels/CDs/Videos Section 19



Mirage Liberty™

FULL FACE MASK

Quick Fitting Guide



Components Card

English • Deutsch • Français • Italiano • Español • Português • Nederlands

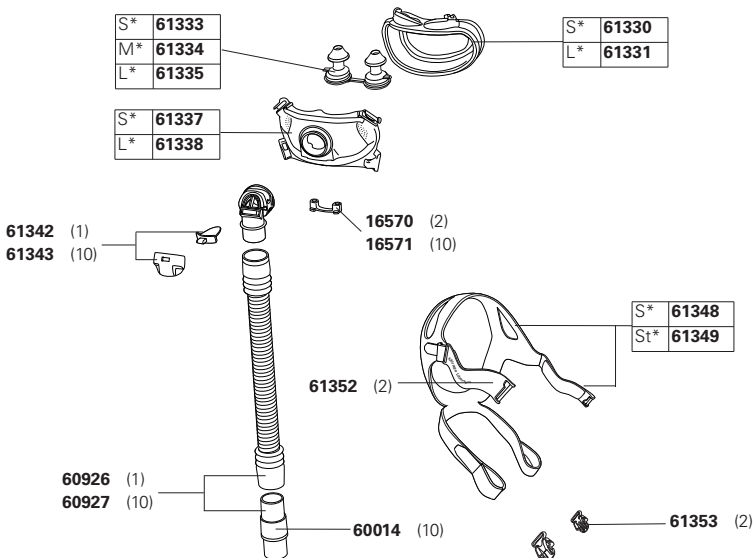
Mirage Liberty Full Face Mask

Mask System / Maskensystem / Masque / Maschera / Mascarilla / Máscara / Maskersysteem

	Europe 1*	Asia-Pacific	ANZ	France	UK
S*	61302	61312	61310	61306	61308
L*	61303	61313	61311	61307	61309

Elbow assembly (elbow, valve and clip) / Kniestück (Kniestück, Sicherheitsventil und Clip) / Ensemble coude (coude, valve et clip) / Gruppo gomito (gomito, valvola e fermaglio) / Unidad del codo (codo, válvula y traba) / Conjunto do cotovelo (cotovelo, válvula e clipe) / Complete bocht (bocht, klep en klem)

61340



Europe 1* English, German, French, Italian, Spanish, Portuguese, Dutch

S* Small / Petit / Pequeña / Pequena

M* Medium / Médium / Mediana / Média

L* Large / Grande

St* Standard / Estándar / Standaard



For details, refer to the *Mirage Liberty User Guide*. Specifications may change without notice. Mirage and Mirage Liberty are trademarks of ResMed Ltd and Mirage is registered in U.S. Patent and Trademark Office.
© 2009 ResMed Ltd. 61852/4 09 05

CE
0120

